

User name: Jody Robinson Book: Engineering Design and Graphics with SolidWorks® 2014 Page: 33. No part of any book may be reproduced or transmitted by any means without the publisher's prior permission. Use (other than qualified fair use) in violation of the law or Terms of Service is prohibited. Violators will be prosecuted to the full extent of the law.

Chapter one

Chapter Project

Project 1-1:

Sketch the shapes shown in Figures P1-1 through P1-18. Create 3D models using the specified thickness values.

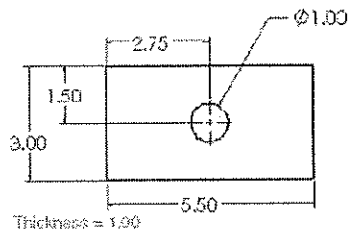


Figure P1-1
INCHES

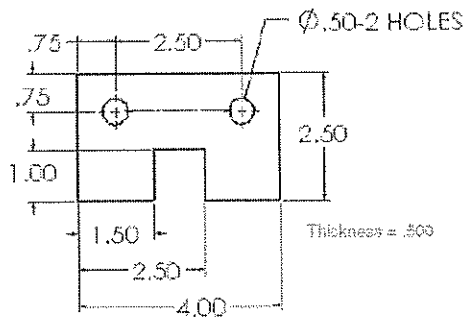
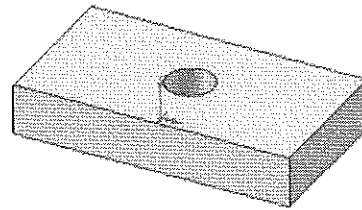


Figure P1-2
INCHES

2341945 Jody Robinson

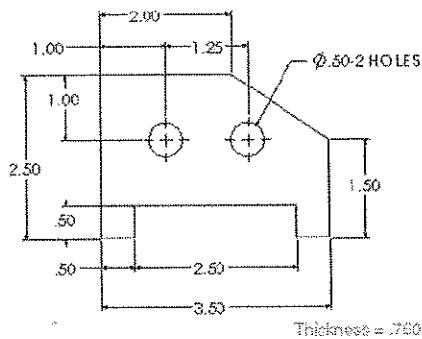
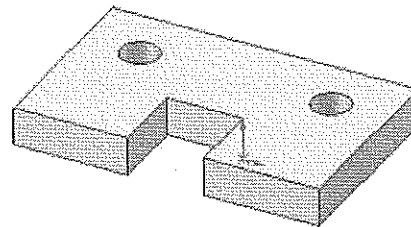
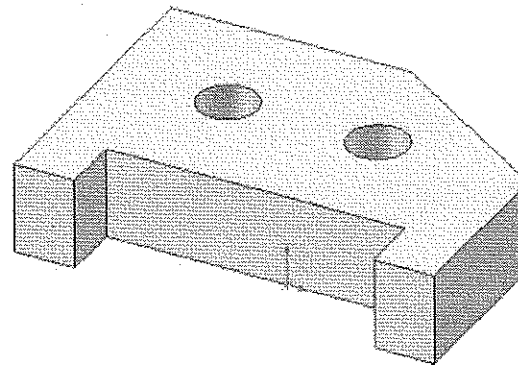


Figure P1-3
INCHES



User name: Jody Robinson Book: Engineering Design and Graphics with SolidWorks® 2014 Page: 34. No part of any book may be reproduced or transmitted by any means without the publisher's prior permission. Use (other than qualified fair use) in violation of the law or Terms of Service is prohibited. Violators will be prosecuted to the full extent of the law.

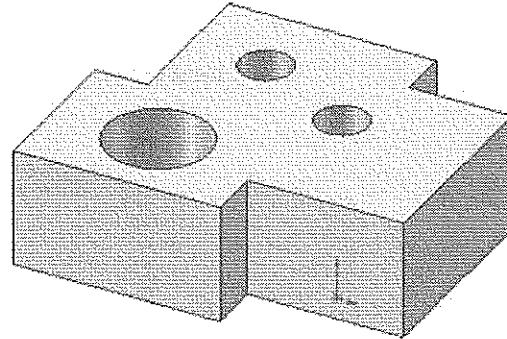
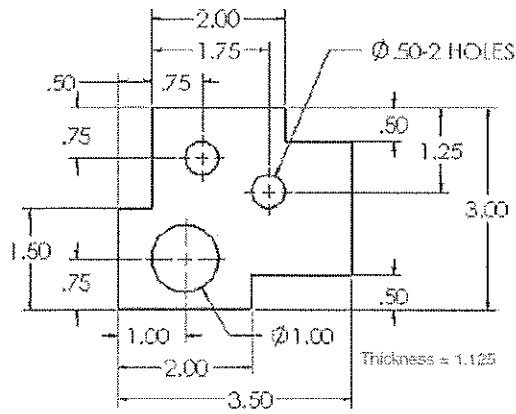


Figure P1-4
INCHES

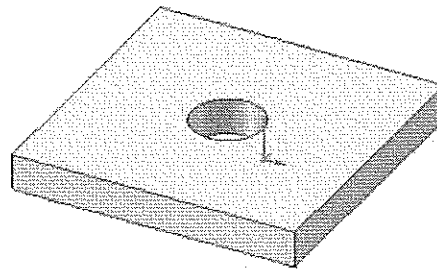
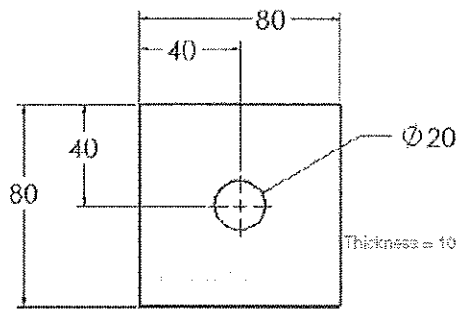


Figure P1-5
MILLIMETERS

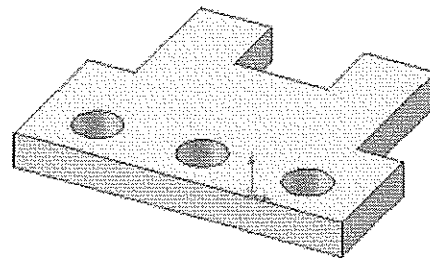
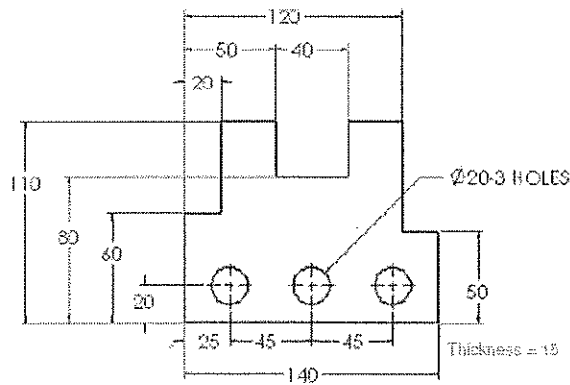


Figure P1-6
MILLIMETERS